

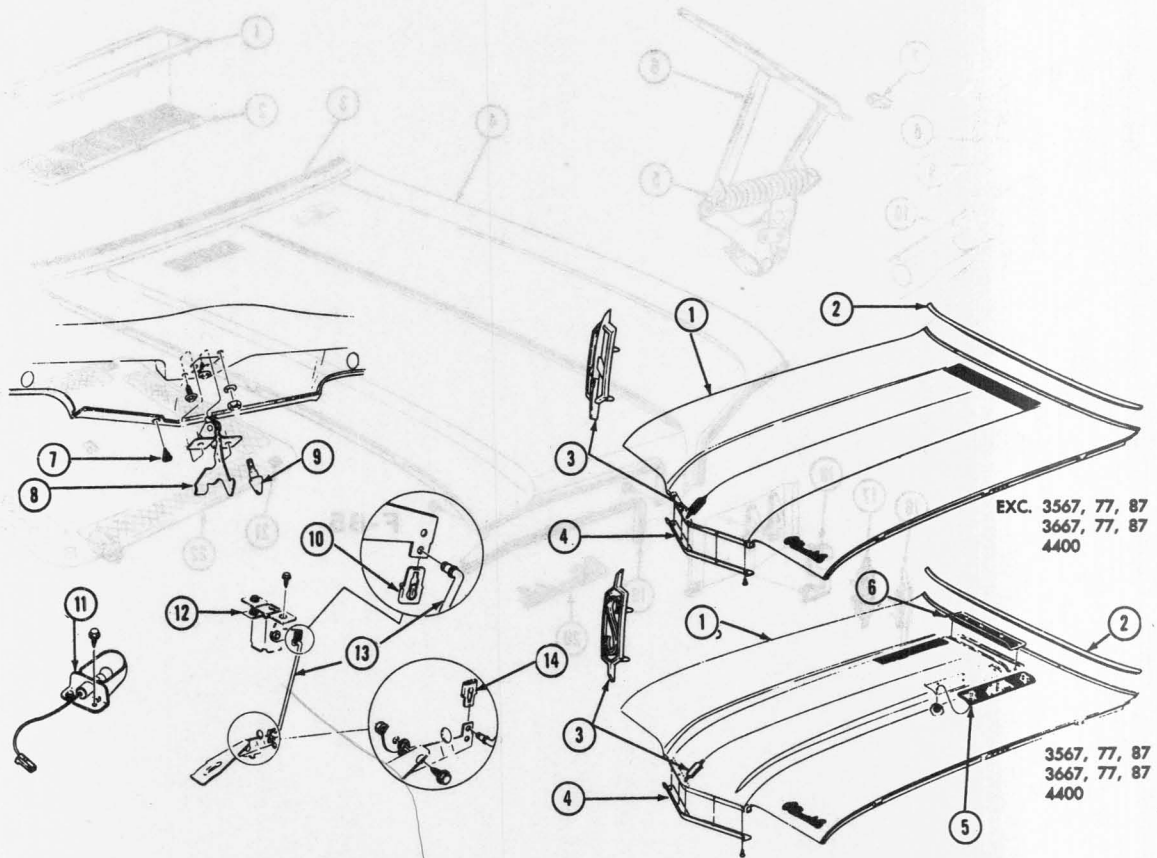
GROUP 8.000 SHEET METAL —

ILLUSTRATION INDEX

Description	Page
Hood Panels	1-8
Typical Grille	9
Front Fender Mouldings	10-15
Front End Sheet Metal	18-27

GROUP 8.500 — HEATER

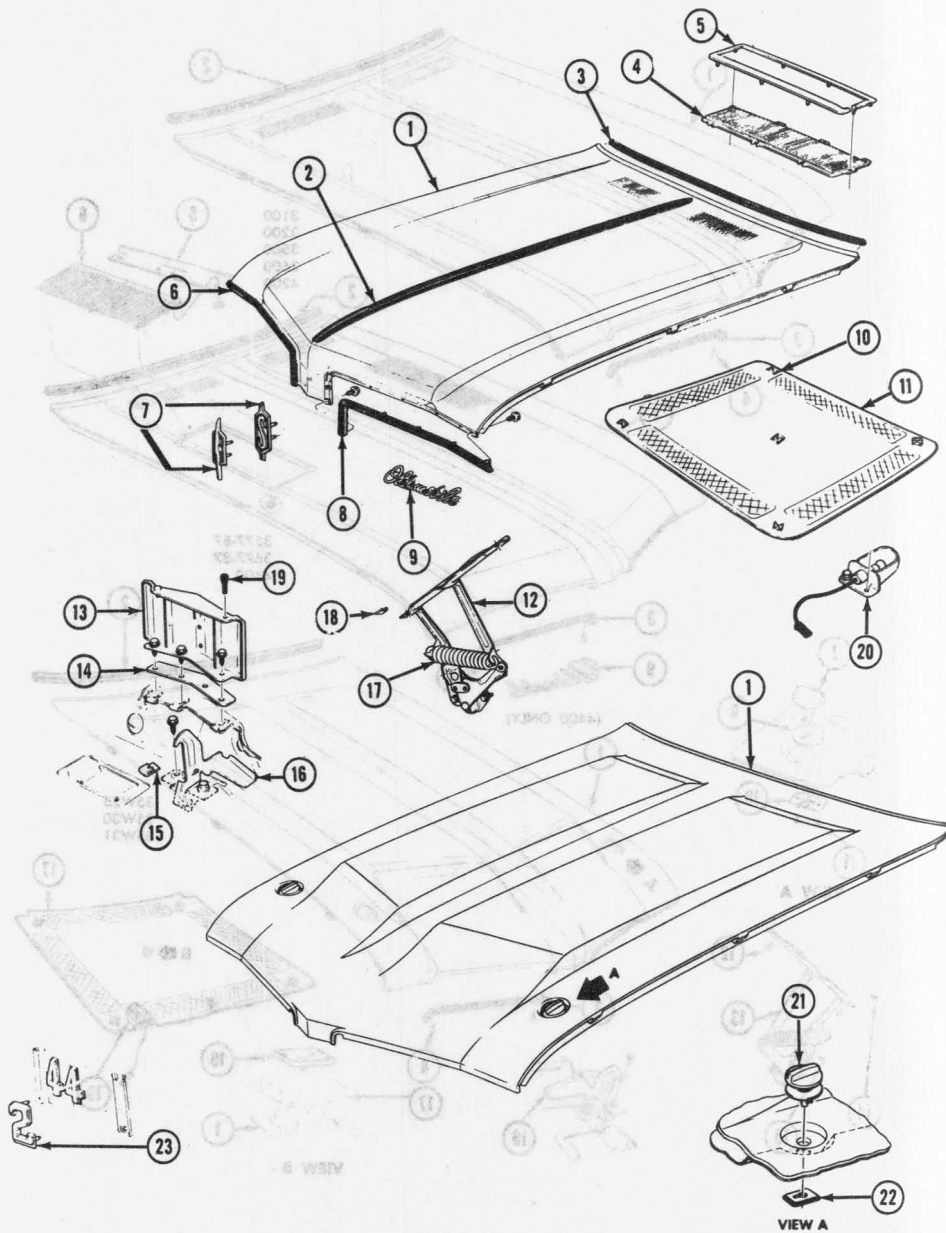
Description	Page
Jack Mounting Details	1
Heater Controls and Hoses	2-3



1968 HOOD PANELS

Key	Description	Group
1	Panel, Hood	8.000
2	Moulding, Hood	8.054
3	Emblem, Hood Moulding	8.039
4	Molding, Hood	8.054
5	Louver, Hood Ornament	8.055
6	Grille, Hood Rear Centre	8.055
7	Bumper, Hood Panel	8.024

Key	Description	Group
8	Hook, Hood Latch Safety	8.080
9	Pilot, Hood Latch Bolt	8.080
10	Clip, Hood Release Rod Lock	8.080
11	Lamp, Underhood — Accessory	N.L.
12	Latch, Hood	8.080
13	Rod, Hood Latch Release	8.080
14	Clip, Hood Release Rod Lock	8.080



1970 HOOD PANELS

Key	Description	Group
1	Panel, Hood	8.000
2	Moulding, Hood — Top	8.054
3	Moulding, Hood — Rear	8.054
4	Grille, Hood Rear Centre	8.055
5	Moulding — Hood Rear Centre Grille — Incl. In Key #4	—
6	Moulding, Hood — Front Right	8.054
7	Emblem, Hood Moulding	8.039
8	Moulding, Hood — Front Left	8.054
9	Script, Hood Front	8.054
10	Retainer, Hood Insulator	8.021
11	Insulator, Hood	8.021
12	Hinge, Hood	8.015

Key	Description	Group
13	Extension, Hood Front	8.005
14	Gasket, Extension To Hood	8.005
15	Nut, Extension To Hood	8.005
16	Hook, Hood Latch Safety	8.080
17	Spring, Hood Hinge	8.013
18	Spacer, Hood Hinge To Hood	8.015
19	Bumper, Hood Front Extension To Stone Shield	8.005
20	Lamp, Underhood — Accessory	N.L.
21	Fastener, Hood Lock	8.080
22	Plate, Hood Lock	8.080
23	Numeral, Hood Front	8.039

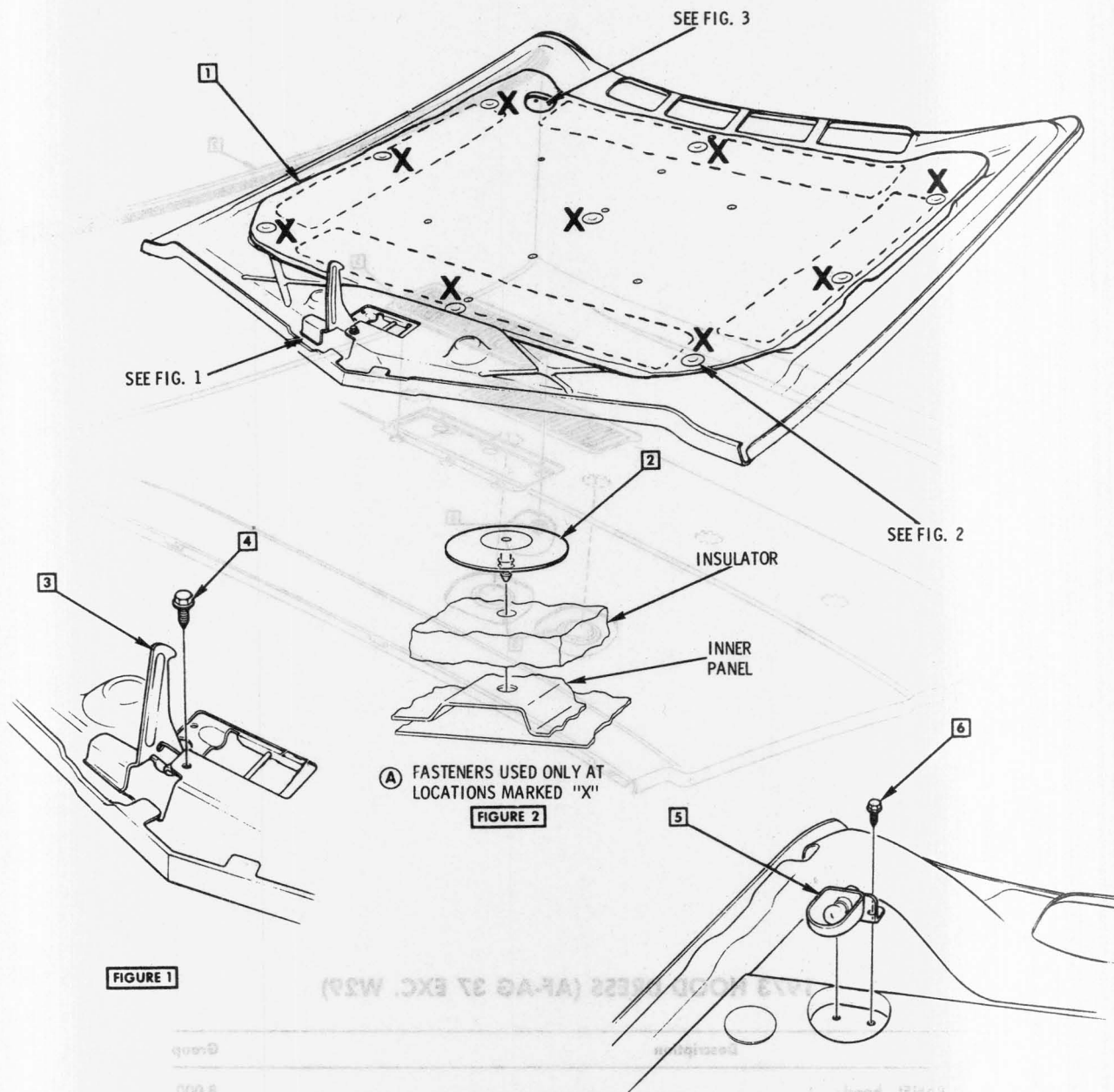


FIGURE 1

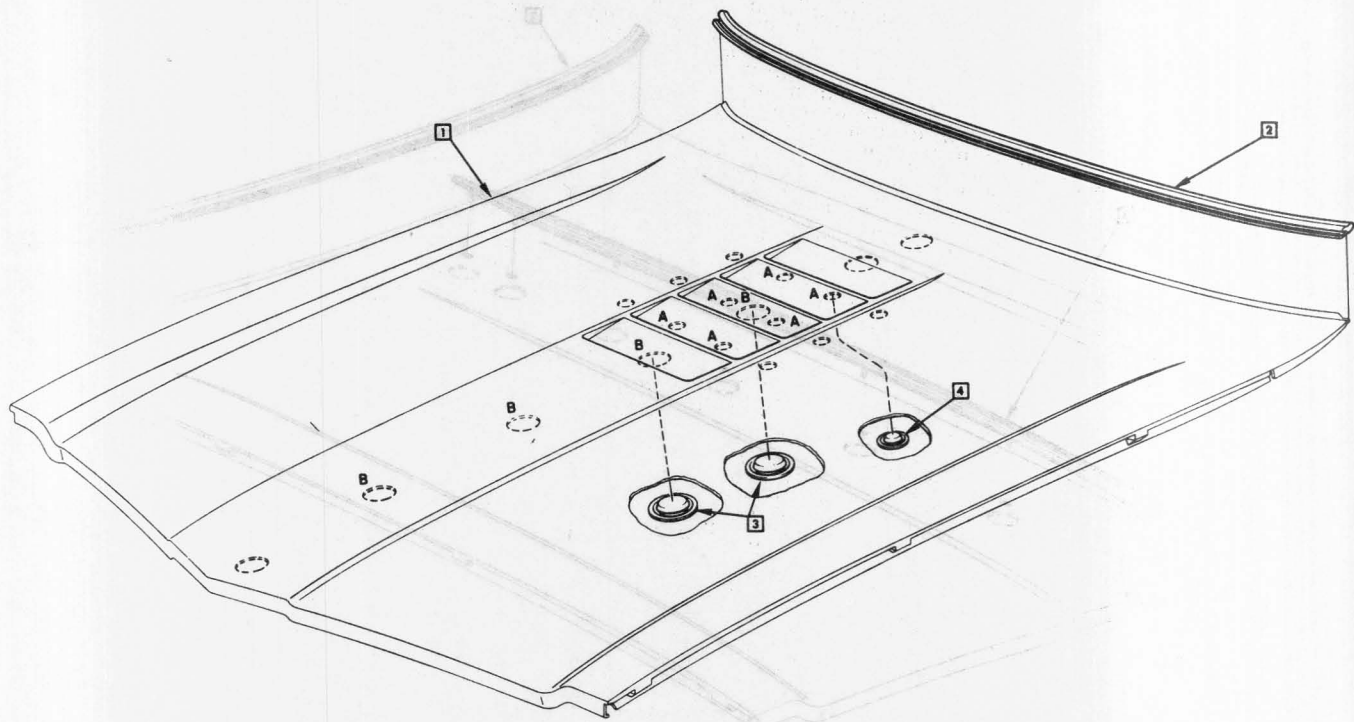
FIGURE 2

FIGURE 3
(Y60)

1973 HOOD COMPONENTS

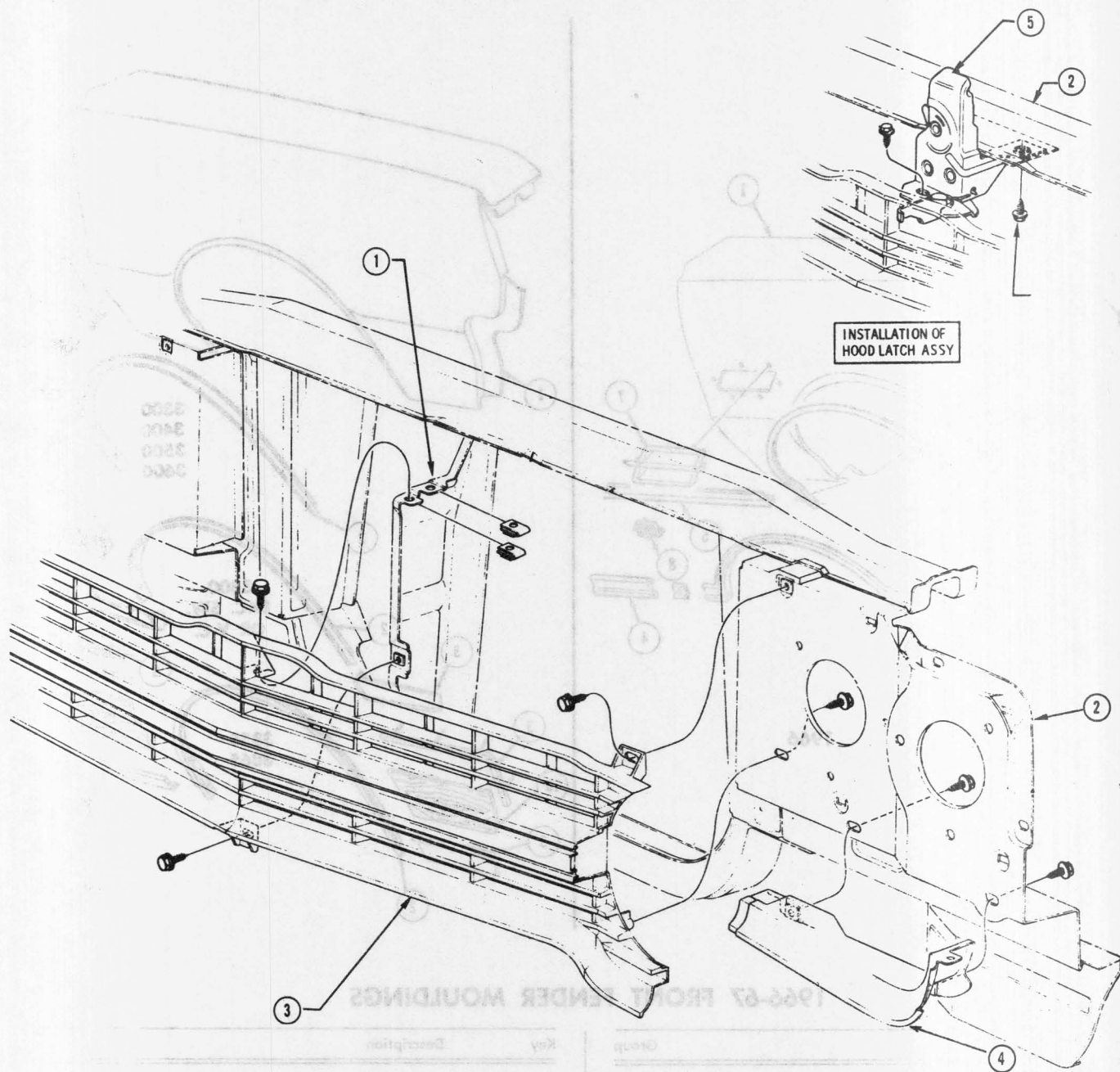
Key	Description	Group
1	INSULATOR, hood	8.021
2	RETAINER, hood insulator	8.021
3	HOOK, hood latch safety	8.080
4	SCREW, hood latch safety hook	S.S.
5	LAMP, under hood	8.890
6	SCREW, under hood lamp	S.S.

S.S. — STANDARD STOCK



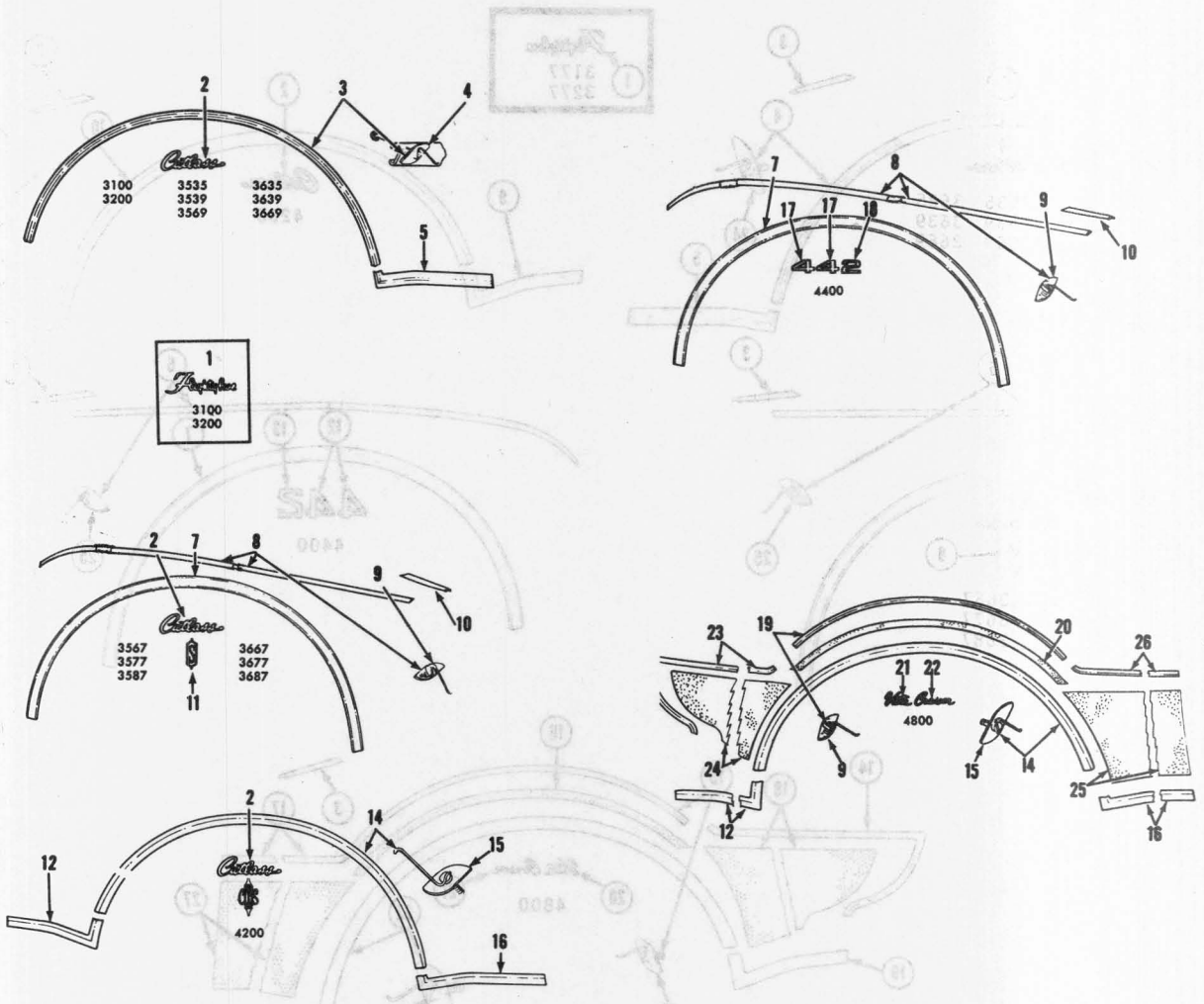
1973 HOOD DRESS (AF-AG37 WITH W29)

Key	Description	Group
1	PANEL, hood	8.000
2	MOULDING, Hood rear	8.054
3	PLUG, Inner panel louvre holes	8.055
4	PLUG, inner panel louvre holes	N.L.A.



**GRILLE
 (TYPICAL)**

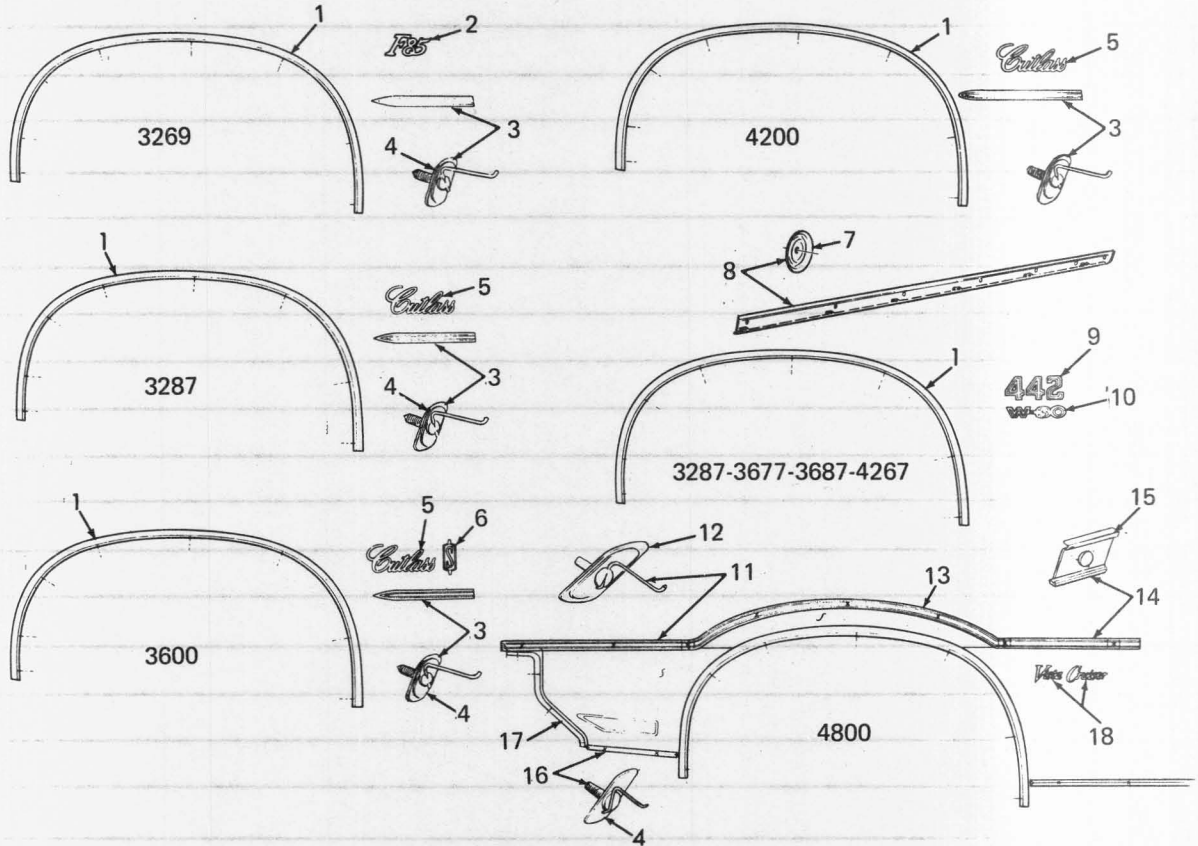
Key	Description	Group
1	Support, Hood Latch and Tie Bar	8.080
2	Support, Radiator	1.270
3	Grille, Radiator	1.266
4	Shield, Radiator Stone	7.833
5	Latch, Hood	8.080



1968 WHEEL OPENING MOULDING, APPLIQUE, SCRIPTS & ATTACHING PARTS

Key	Group	DESCRIPTION	Key	Group	DESCRIPTION
1	8.147	SCRIPT PKG.	15	8.147	RETAINER
2	8.147	SCRIPT PKG.	16	8.147	MLDG. PKG.
3	8.147	MLDG. PKG.	17	8.147	NUMERAL PKG.
4	8.147	RETAINER	18	8.147	NUMERAL PKG.
5	8.147	MLDG. PKG.	19	8.147	MLDG. PKG.
7	8.147	MLDG. PKG.	20	8.147	APPLIQUE
8	8.147	MLDG. PKG.	21	8.147	SCRIPT PKG.
9	8.147	RETAINER	22	8.147	SCRIPT PKG.
10	8.147	MLDG. PKG.	23	8.147	MLDG. PKG.
11	8.147	EMBLEM PKG.	24	8.147	APPLIQUE
12	8.147	MLDG. PKG.	25	10.354	APPLIQUE
14	8.147	MLDG. PKG.	26	8.147	MLDG. PKG.

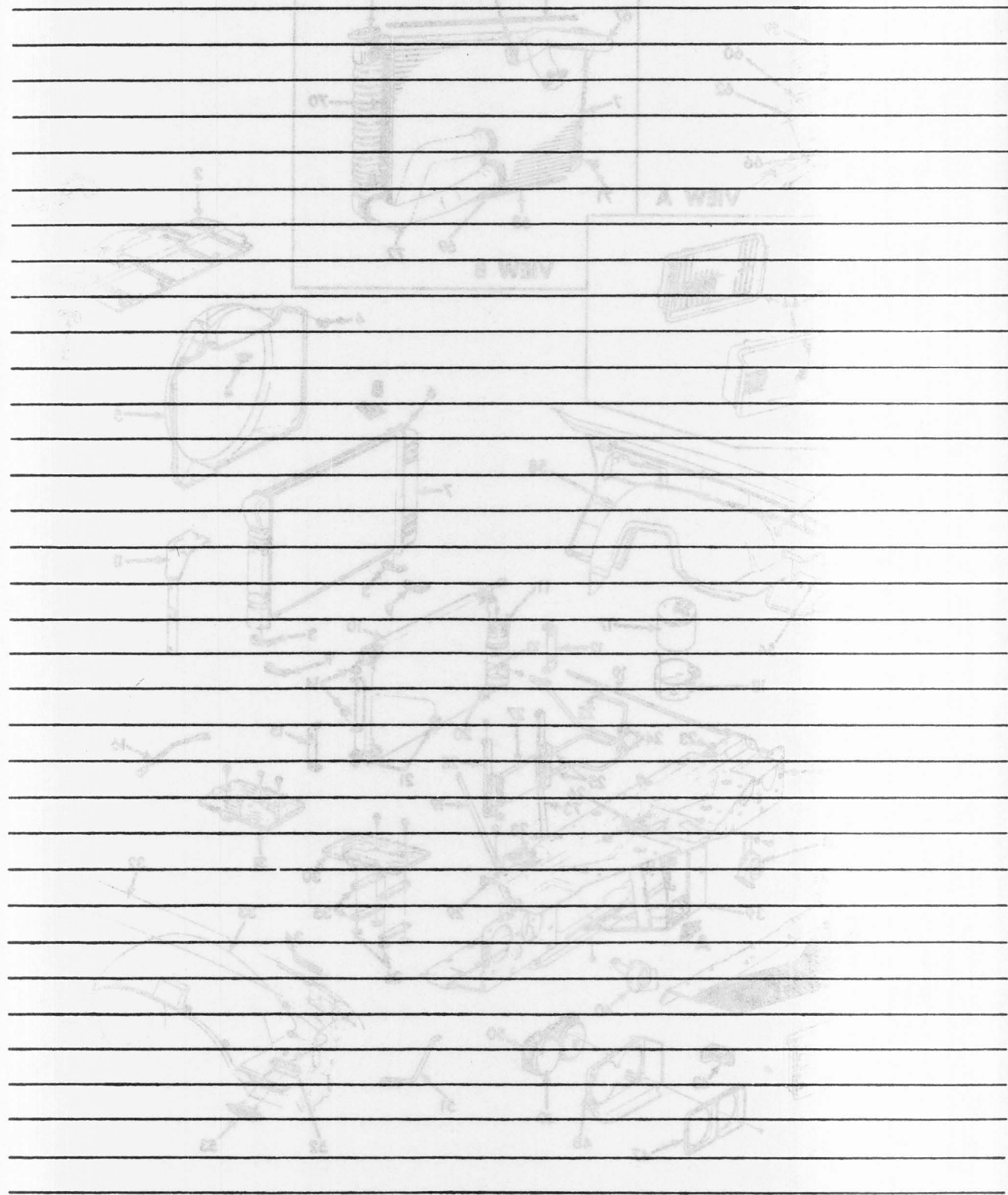
237GM



1972 WHEEL OPENING MLDG., TRANSFER, SCRIPT AND ATTACHING PARTS

Key	Group	Part No.	Description	Key	Group	Part No.	Description
1	8.132	230924-5	MLDG. PKG.	10	8.147	230995	EMBLEM PKG.
2	8.147	230947	SCRIPT PKG.	11	8.132	230934	MLDG. PKG. (Front)
3	8.132	231206-7	MLDG. PKG.	12	8.132	3994733	RETAINER
4	8.309	3986977	RETAINER	13	8.132	230936-7	MLDG. PKG.
5	8.147	231212	SCRIPT PKG.	14	8.132	230935	MLDG. PKG. (Rear)
6	8.147	231368	EMBLEM	15	8.133	410792	RETAINER
7	8.309	3986976	RETAINER	16	8.132	230939	MLDG. PKG.
8	8.304	231216-7	MLDG. PKG.	17	8.132	230962-3	MLDG. APPLIQUE
9	8.147	230722-3	NUMERAL PKG.	18	8.147	230949-50	SCRIPT

Notes



1971 FRONT END SHEET METAL
(TYPICAL OF 1972)



1971 FRONT END SHEETMETAL DETAILS (TYPICAL OF 1972)

Key	Description	Group	Key	Description	Group
1	CLAMP, inlet hose	1.166	39	SUPPORT, hood latch (welded)	8.080
2	BAFFLE, radiator upper	1.272	40	HORN, low note	2.810
3	INSULATOR, radiator brkt.	1.270	41	DEFLECTOR, radiator air lower	1.272
4	NUT	8.160	42	SEAL, air deflector to bumper	1.274
5	SHROUD, radiator fan	1.277	43	BRACKET, grille to support (exc. 4400 series)	1.266
6	CAP, radiator filler	1.203	44	GRILLE	1.266
7	RADIATOR ASSY., engine cooling	1.219	45	EMBLEM PKG., stone shield	1.303
8	SEAL, side	1.274	46	SHIELD, stone	7.833
9	INSULATOR, radiator brkt. (lower)	1.272	47	DOOR, headlamp	2.728
10	CONDENSER, refrigerant	9.190	48	HOUSING, headlamp	2.726
11	GASKET	9.211	49	SEALED BEAM UNIT	2.727
12	BRACKET, side support	9.190	50	HEADLAMP ASSY.	2.725
13	RECEIVER (inc. de- hydrator)	9.195	51	BRACE, fender	8.141
14	NUT (5/16" - 18)	8.915	52	BRACKET, marker lamp mounting	2.575
15	BRACKET, side support	9.190	53	LAMP ASSY., side marker	2.575
16	BRACE, fender	8.141	54	FILLER, fender to side baffle	8.131
17	CANISTER	3.130	55	MLDG. PKG., fender front	8.147
18	BRACKET, canister mounting	3.130	56	FENDER	8.130
19	BRACE, shroud to tie bar (4800 series only)	1.277	57	NUT (5/16" - 18 spring type)	1.266
20	BRACKET, receiver mounting	9.195	58	SKIRT, front fender	8.153
21	INSULATOR	9.190	59	LATCH, hood	8.080
22	UNION	8.963	60	CLIP	8.080
23	BUMPER	8.024	61	NUT	8.917
24	GROMMET	9.775	62	ROD, hood latch release	8.080
25	UNION	4.128	63	RETAINER	8.080
26	SPRING, hood release	8.080	64	HANDLE	8.080
27	AUX. OIL COOLER	4.128	65	BUSHING	8.080
28	BRACKET, oil cooler mounting	4.128	66	BELLCRANK	8.080
29	BRACKET, hood lock (O. A. I.)	8.080	67	HOSE, upper inlet	1.173
30	SUPPORT, battery (455 cu. in.)	2.333	68	SEAL	1.270
31	SUPPORT, battery	2.333	69	CLAMP, radiator hose	1.166
32	FENDER	8.130	70	HOSE, overflow	1.240
33	SKIRT, front fender	8.153	71	COCK, drain	8.951
34	SHIM	1.270	72	HOSE, lower outlet	1.173
35	SPACER	2.335	73	BRACE, aux. oil cooler	4.128
36	RETAINER	6.672			
37	SUPPORT, radiator	1.270			
38	HORN, high note	2.810			

1971 A SERIES FRONT END SHEETMETAL



1973 A FRONT END SHEET METAL

Key	Description	Group
1	FENDER	8.130
2	BUMPER	8.024
3	STRAP	3.130
4	HINGE	8.015
5	SPRING	8.013
6	SCREW	8.016
7	TANK	9.281
8	BRACKET	1.240
9	RESERVOIR & CAP	1.240
10	CANISTER	3.130
11	PLATE	8.153
12	'O' RING	9.211
13	RECEIVER	9.195
14	CLAMP	9.196
15	CONDENSER	9.190
16	INSULATOR	9.190
17	NUT (5/16"-18)	8.915
18	CAP	1.203
19	SEAL	1.270
20	SUPPORT	1.270
21	GUARD	1.277
22	INSULATOR	1.270
23	RADIATOR	1.219
24	HOSE	1.159
25	SHIM	1.277
26	NUT	1.276
27	SHROUD	1.277
28	HORN	2.810
29	HORN	2.810
30	SEAL	1.270
31	BUMPER	8.024
32	SEAL	8.021
33	SCRIPT PKG.	1.303
34	SEAL	1.270
35	SPRING	8.080
36	LATCH	8.080
37	PLATE (Part of 231636 Script Pkg.)	N.L.
38	BRACKET	9.190
39	BRACKET	9.190
40	DEFLECTOR	1.272
41	SUPPORT	1.270
42	'U' NUT (5/16"-18)	8.921

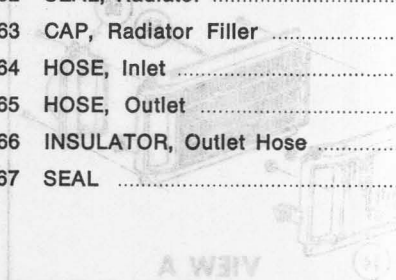
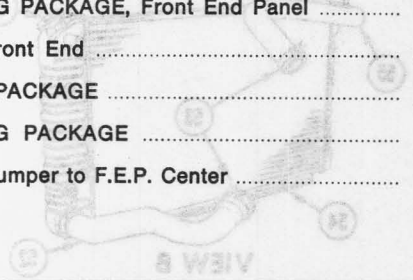
Key	Description	Group
43	REGULATOR	3.885
44	BRACKET	3.885
45	WASHER	2.334
46	RETAINER	2.335
47	BOLT	2.334
48	SUPPORT	2.333
49	BAFFLE	1.272
50	SUPPORT	1.270
51	BAR (AF, AG)	1.266
52	BAR (AJ)	1.266
53	MOULDING PKG.	1.303
54	PLATE	N.L.
55	NUMERAL PKG. ('4')	1.263
56	EMBLEM PKG.	1.303
57	MOLDING PKG.	1.303
58	MOULDING PKG.	1.263
59	DOOR	2.728
60	CAPSULE	2.725
61	HOUSING	2.726
62	PANEL	1.263
63	NUT (Part of Moulding Pkg.)	N.L.
64	FILLER	7.831
65	GRILLE	1.266
66	PANEL	1.263
67	LAMP	2.575
68	CLIP	2.575
69	LAMP	2.585
70	CLIP	7.833
71	PLATE	8.153
72	FENDER	8.130
73	FILLER	7.831
74	SPRING	1.268
75	PANEL	1.263
76	CLAMP	1.166
77	HOSE	1.240
78	HOSE	1.173
79	CLAMP	1.166
80	PANEL	1.263
81	BOLT	1.268
82	DRAIN COCK	1.219
83	NUT	2.334



1974 "A" FRONT END SHEET METAL

Key	Description	Group
1	FENDER, Front	8.130
2	BUMPER, Hood	8.024
3	STRAP, Canister	3.130
4	CANISTER	3.130
5	PLATE, Filler	8.153
6	TANK, Vacuum	9.281
7	SCREW, Hinge to Fender	8.016
8	SPRING, Hood Hinge	8.013
9	HINGE, Hood	8.015
10	CLAMP, Upper Radiator Hose Support	1.166
11	SHIM, Support to Shroud	1.277
12	SHROUD, Fan	1.277
13	NUT, Fan Shroud to Upper Baffle	8.160
14	GUARD, Fan-Upper	1.277
15	SUPPORT, Upper	1.270
16	INSULATOR, Radiator	1.270
17	RADIATOR	1.219
18	NUT, Hex (5/16"-18)	8.915
19	CONDENSER	9.190
20	INSULATOR	9.190
21	SEAL, Radiator Side	1.270
22	HORN	2.810
24	SUPPORT, Radiator Core	1.270
25	SEAL, Hood	8.021
26	LATCH, Hood	8.080
27	BRACKET, Condenser	9.190
28	SUPPORT, center	1.270
29	DEFLECTOR, Lower Air	1.272
30	MOULDING PACKAGE, Front End Panel	1.303
31	PANEL, Front End	1.263
32	EMBLEM PACKAGE	1.303
33	MOULDING PACKAGE	1.303
34	FILLER, Bumper to F.E.P. Center	7.831

Key	Description	Group
35	DOOR, Headlamp	2.728
36	SEALED BEAM, Headlamp	2.727
37	HOUSING, Headlamp (RH)	2.726
38	SUPPORT, Battery	2.333
39	BOLT, Battery Hold Down	2.334
40	RETAINER, Battery	2.335
41	WASHER, Battery Hold Down	2.334
42	NUT, Battery Hold Down (5/16"-18)	8.917
43	BRACKET, Regulator Mounting	3.885
44	BRACE, Lower Reinforcement to Joint Line Reinforcement	8.141
45	REGULATOR, Cruise Control	3.885
46	FILLER, Bumper to F.E.P.	7.833
47	MOULDING PACKAGE	1.303
48	HOUSING, P. & T.S.	2.585
49	BOLT, Grille Spring to Reinforcement	1.266
50	WASHER (25/64" I.D. x 1" O.D.)	2.334
51	SPRING, Grille	1.266
52	WASHER, Grille to Return Spring Bolt	1.266
53	GRILLE, Radiator	1.266
54	CLAMP (1-5/16" to 2-1/8")	1.166
55	SCRIPT PACKAGE, Radiator Grille	1.803
56	FILLER, Grille to Bumper	1.266
57	GRILLE, Radiator	1.266
58	SCRIPT PACKAGE, Radiator Grille	1.303
59	FILLER, Grille to Bumper	1.266
60	GRILLE, Radiator	1.266
61	SCRIPT PACKAGE, Radiator Grille	1.303
62	SEAL, Radiator	1.270
63	CAP, Radiator Filler	1.203
64	HOSE, Inlet	1.159
65	HOSE, Outlet	1.173
66	INSULATOR, Outlet Hose	1.173
67	SEAL	1.266



1974 "A" FRONT END SHEET METAL



F85
OLDSMOBILE

PARTS CATALOGUE

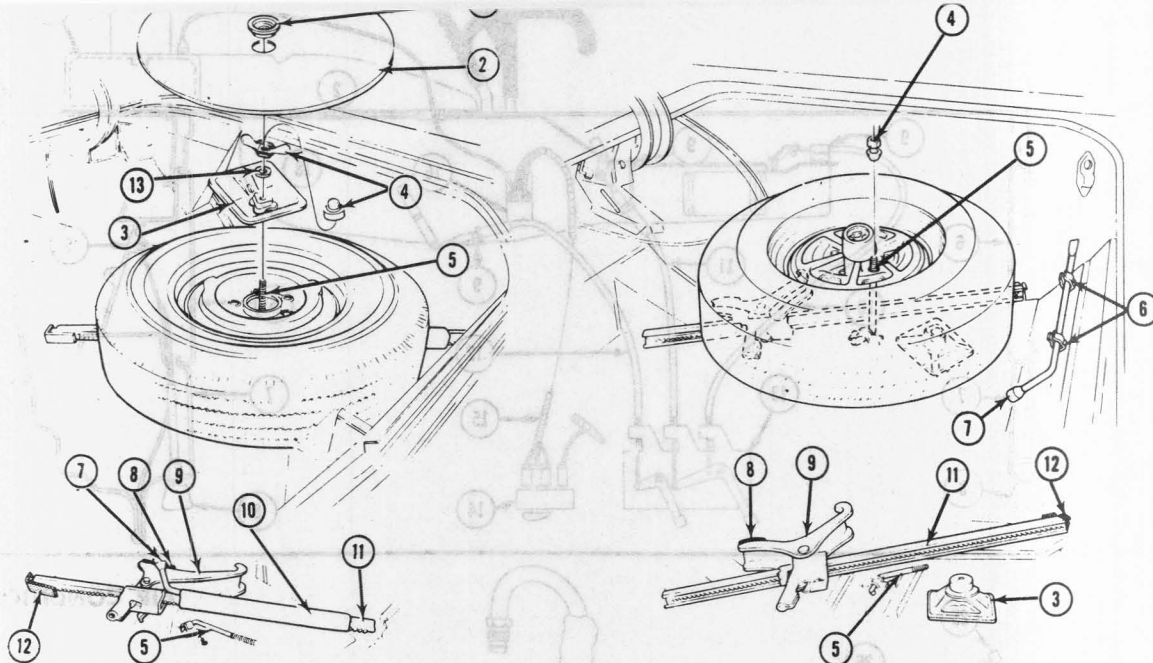
1975 A FRONT END SHEET METAL

Ill. No.	Group No.	Description	Ill. No.	Group No.	Description
1	8.054	MOLDING	28	3.885	BRACKET
2	8.000	HOOD	29	3.885	REGULATOR
3	8.055	MOLDING	30	1.270	SUPPORT
4	8.080	HOOK	31	8.083	SPRING
5	8.013	SPRING	32	1.270	SEAL ASM.
6	8.015	HINGE ASM.	33	9.190	CONDENSER ASM.
7	8.141	BRACE	34	1.219	RADIATOR
8	8.130	FENDER	35	2.810	HORN ASM.
9	8.024	BUMPER	36	8.080	LATCH ASM.
10	8.153	PLATE	37	3.130	STRAP
11	9.281	TANK ASM.	38	3.130	CANISTER ASM.
12	1.240	BRACKET	39	1.303	EMBLEM ASM.
13	1.240	RESERVOIR & CAP ASM.	40	1.303	MOLDING
14	1.303	SCRIPT PKG.	41	1.303	EMBLEM
	1.303	PLATE (part of Script Pkg.)	42	1.263	PANEL
15	1.277	GUARD (V8)	43	1.303	MOLDING
16	8.021	RETAINER	44	2.728	DOOR
17	8.021	INSULATOR	45	1.270	SUPPORT ASM.
18	1.166	CLAMP	46	9.190	BRACKET
19	1.173	HOSE	47	2.727	HEADLAMP
20	1.277	SHROUD	48	1.272	DEFLECTOR
21	1.270	SUPPORT ASM.	49	2.585	LAMP ASM.
22	1.270	INSULATOR	50	2.589	BEZEL
23	8.141	BRACE	51	1.203	CAP
24	2.335	RETAINER ASM.	52	1.173	HOSE
25	2.334	BOLT	53	1.166	CLAMP
26	2.333	SPACER	54	1.219	RADIATOR
27	2.333	SUPPORT	55	1.159	HOSE
			56	2.585	LAMP ASM.
			57	1.266	GRILLE
			58	1.274	SEAL

1975 A FRONT END SHEET METAL

1976 "A" FRONT END SHEET METAL

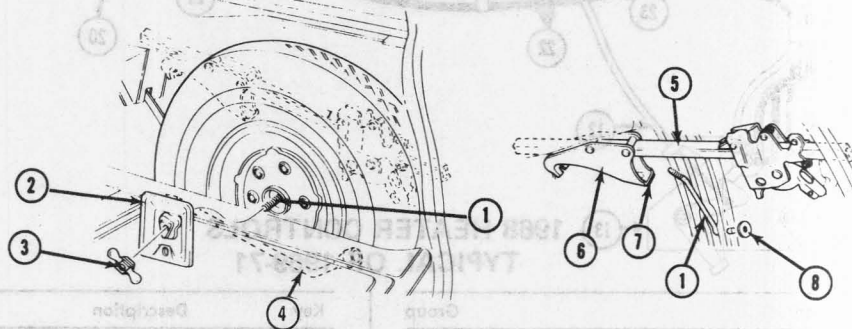
1. PANEL, Hood	8.000	48. SCRIPT, Frt. Fender	8.147
2. MOLDING, Hood Top	8.054	49. MOLDING PKG., Wheel Opening	8.132
3. MOLDING, Hood Rear	8.054	50. MOLDING, Wheel Opening Frt.	8.132
4. NOZZLE, Windshield Wiper	10.156	51. MOLDING PKG., Frt. Fender Upper	8.132
5. CAP, Washer Jar	10.154	52. TRANSFER, Frt. Fender	10.354
6. FILTER, Washer Jar	10.154	53. TRANSFER, Frt. End Panel Side	10.354
7. JAR, Washer	10.154	54. MOLDING PKG., Frt. End Panel Upper	1.263
8. BRACKET, Washer Jar Mtg.	10.154	55. MOLDING PKG., Frt. End Panel Lower	1.263
9. SEAL, Cowl Hood Ledge	12.801	56. MOLDING PKG., Frt. Fender Side Frt.	
10. SCREEN, Cowl Top Vent	12.800	Ctr.	8.132
11. BUMPER, Hood Rear	8.024	57. MOLDING PKG., Frt. Fender Side Frt.	
12. INSULATOR, Hood Panel	8.021	Lower	8.132
13. HOOK, Hood Latch Secondary	8.080	58. MOLDING PKG., Wheel Opening	8.132
14. PANEL, Rad. Upper Mtg.	1.270	59. DEFLECTOR, Rad. Lower Air	1.272
15. SHROUD, Rad.	1.277	60. PAD, Frt. Bumper Restrictor	7.831
16. PAD, Rad. Upper Ret.	1.270	61. RESTRICTOR, Frt. Bumper	7.831
17. RADIATOR	1.219	62. BRACKET, Condenser Mtg.	9.190
18. COCK, Radiator Drain	8.951	63. HORN	2.810
19. PAD, Rad. Lower Ret.	1.270	64. HORN	2.810
20. BRACE, Dash to Joint Line Reinf.	8.141	65. EMBLEM PKG., Frt. End Panel (Stand	
21. BOLT, Batt. Hold Down	2.334	Up)	1.303
22. SPACER, Battery	2.333	66. PANEL ASM., Front End	1.263
23. TRAY, Battery	2.333	67. NUT (7/16" Stamped)	8.921
24. BOLT, Rad. Support to Frame	1.270	68. EMBLEM PKG., Frt. End Panel	1.303
25. WASHER (29/64" I.D. x 1" O.D. x 1/8")	8.929	69. PANEL ASM., Front End	1.263
26. REINFORCEMENT, Frt. Bumper		70. SUPPORT, Center	8.080
Restrictor	7.831	71. BRACKET, Frt. End Panel to Center	
27. SHIM, Supt. Asm. to Frame	N.S.	Supt.	1.263
28. INSULATOR, Rad. Supt. to Frame	1.270	72. SUPPORT, Rad. Complete	1.270
29. BRACKET, Rad. Supt. to Frame	1.270	73. NUT, Hood Frt. Bumper	8.024
30. INSULATOR, Support to Frame	1.270	74. BUMPER, Hood Frt.	8.024
31. WASHER, Support to Frame	9.011	75. SEAL, Filler Plate Lower	8.154
32. NUT (7/16"—14)	8.921	76. CANISTER, Fuel Evap.	3.130
33. GASKET, Frt. End Pnl. to Fender	8.131	77. STRAP, Evap. Canister	3.130
34. LAMP, Side Marker	2.575	78. PLATE, Frt. Fender Filler	8.153
35. BEZEL, Side Marker Lamp	2.575	79. BUMPER, Hood Side	8.024
36. BRACE, Lwr. Tie Bar to Fender	8.141	80. FENDER	8.130
37. FILLER, Bumper to Frt. Fnd. Outer	7.833	81. HINGE, Hood	8.015
38. MOLDING, Frt. Fender Side	8.132	82. SPRING, Hood Hinge	8.013
39. SCRIPT, Frt. Fender	8.147	83. BRACKET, Coolant Reservoir	1.240
40. MOLDING, Frt. Fender Side	8.132	84. RESERVOIR, Coolant w/Cap	1.240
41. SCRIPT, Frt. Fender	8.147	85. CAP, Radiator	1.203
42. LOUVER, Frt. Fender	8.147	86. CONDENSER ASM., A.C. Refrig.	9.190
43. EMBLEM, Frt. Fender	8.147	87. SPRING, Hood Pop Up	8.083
44. SCRIPT, Frt. Fender	8.147	88. LATCH, Hood	8.080
45. EMBLEM, Frt. Fender	8.147	89. INSULATOR ASM., Cndsr.	9.190
46. EMBLEM, Frt. Fender	8.147	90. NUT (7/16"—18)	8.921
47. SCRIPT, Frt. Fender	8.147	91. RETAINER, Battery	2.335
		92. MOLDING PKG.	8.304



1969 F85 JACK MTG. DETAILS (EXC. S.W.) (TYPICAL OF 1970-72)

Key	Description	Group
1	RETAINER	12.579
2	COVER	12.579
3	BASE	8.820
4	NUT	7.633
5	BOLT	7.632
6	CLIP	8.820
7	HANDLE	8.821

Key	Description	Group
8	INSULATOR	8.820
9	LIFT	8.820
10	SLEEVE	8.820
11	COLUMN	N.S.S.
12	BRACKET	N.L.
13	WASHER	8.929

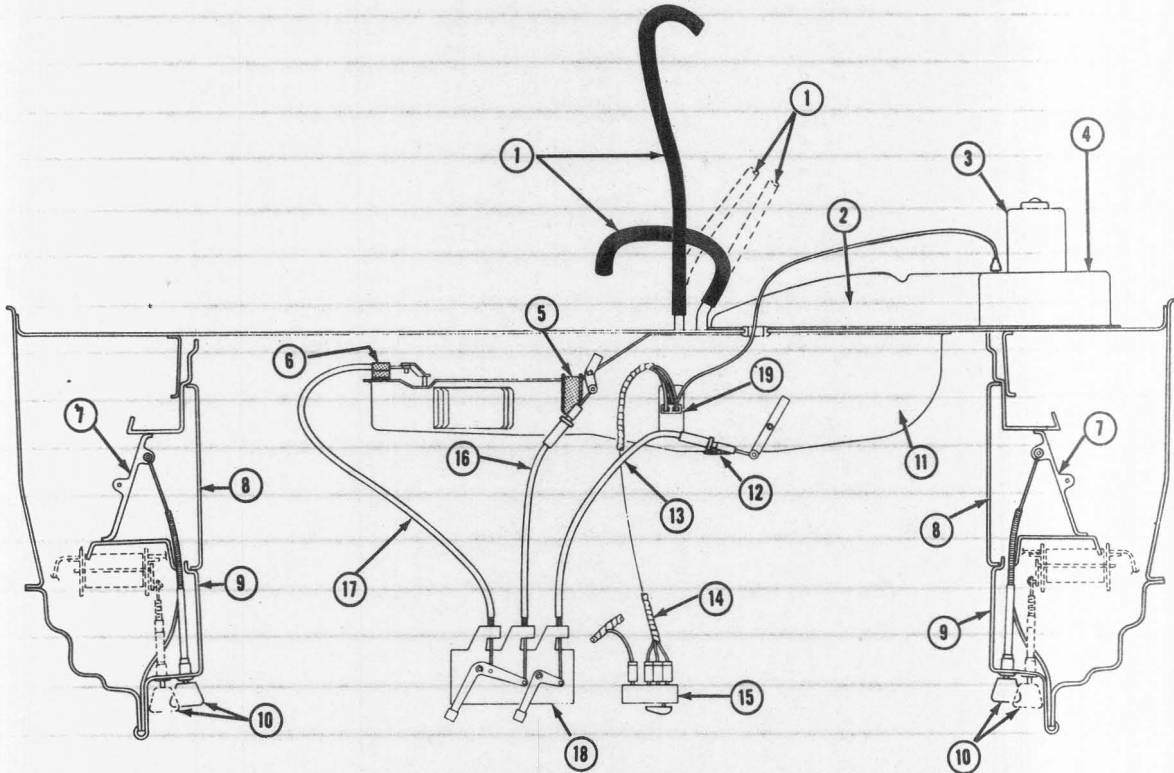


1969 S.W. JACK MTG. DETAILS (TYPICAL OF 1970-72)

Key	Description	Group
1	BOLT	7.632
2	BASE	8.820
3	NUT	7.633
4	HANDLE	8.821

Key	Description	Group
5	COLUMN	N.S.S.
6	LIFT	8.820
7	INSULATOR	8.820
8	NUT	7.633

8370M



**1969 HEATER CABLE & HOSE DIAGRAM
(TYPICAL OF 1970 THRU 1972)**

Key	Description	Group
1	Hose, Heater	8.846
2	Case and Cut-off Assembly, Heater Blower	8.857
3	Motor, Heater Blower	8.855
4	Fan, Heater Blower	8.857
5	Bracket, Heater and Defroster Cable	8.849
6	Bracket, Heater and Defroster Cable	8.849
7	Door, Shroud Panel Air Outlet	9.789
8	Grille, Cowl Trim Panel	9.789
9	Panel, Shroud Side Finishing Plastic	14.630
10	Control, Shroud Duct Panel Air Outlet	9.787

Key	Description	Group
11	Heater	8.854
12	Bracket, Heater and Defroster Cable	8.849
13	Cable, Temperature Control Valve	8.849
14	Harness Assembly, Heater	8.852
15	Switch, Heater	8.852
16	Cable, Heater Air Valve	8.849
17	Cable, Defroster Control Valve	8.849
18	Control, Heater	8.849
19	Resistor, Car Heater Blower	8.855